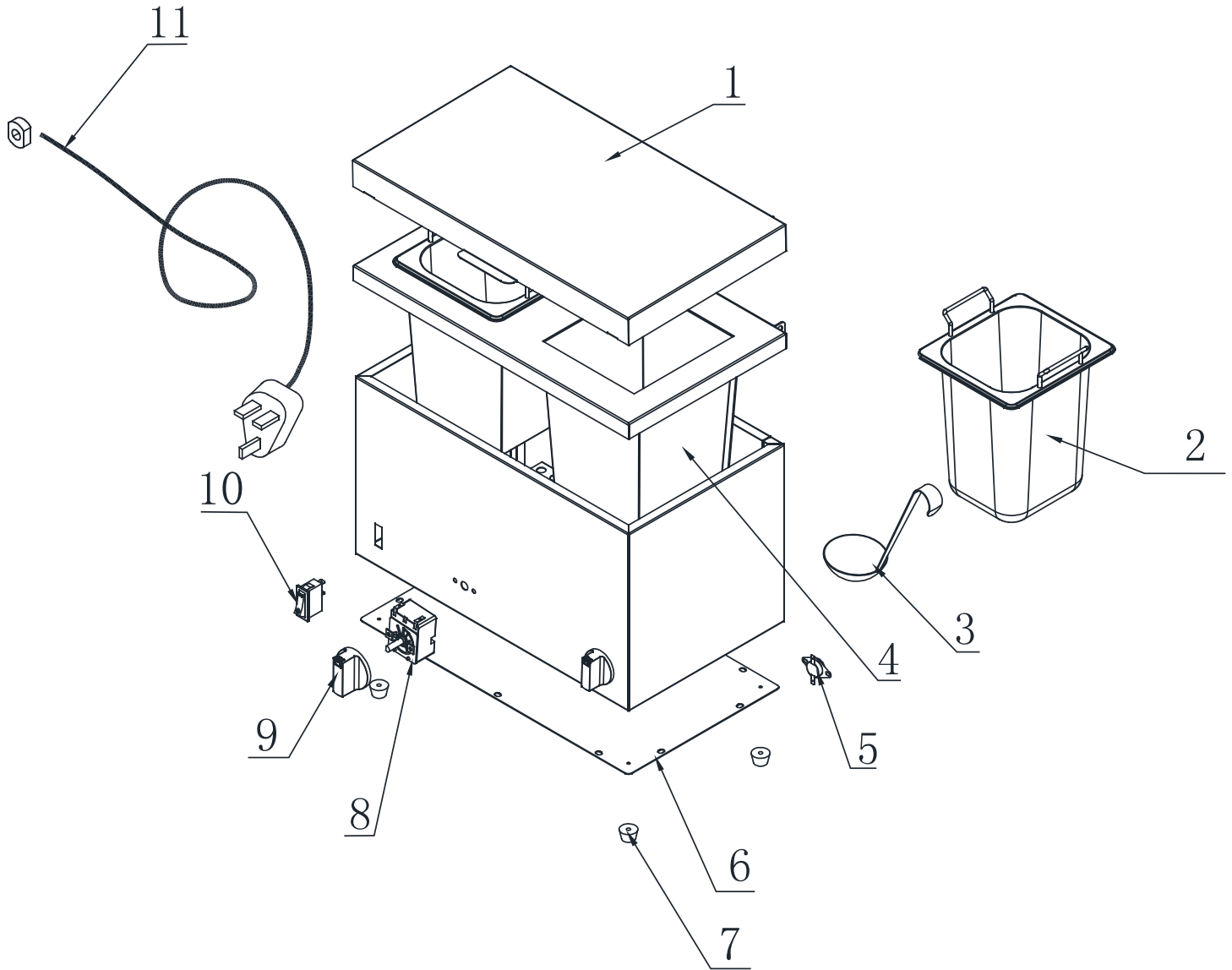


Parts Breakdown

Model FW-CN-0252 44182





Parts Breakdown

Model FW-CN-0252 44182

Item No.	Description	Position	Item No.	Description	Position	Item No.	Description	Position
65022	Lid for 44182	1	65027	Thermal Cut Out for 44182	5	65033	Dial for 44182	9
65024	Pot with Handles for 44182	2	65029	Base for 44182	6	65034	Switch for 44182	10
65025	Spoon for 44182	3	65031	Feet for 44182	7	65035	Plug and Lead for 44182	11
65026	Element for 44182	4	65032	Thermostat for 44182	8			